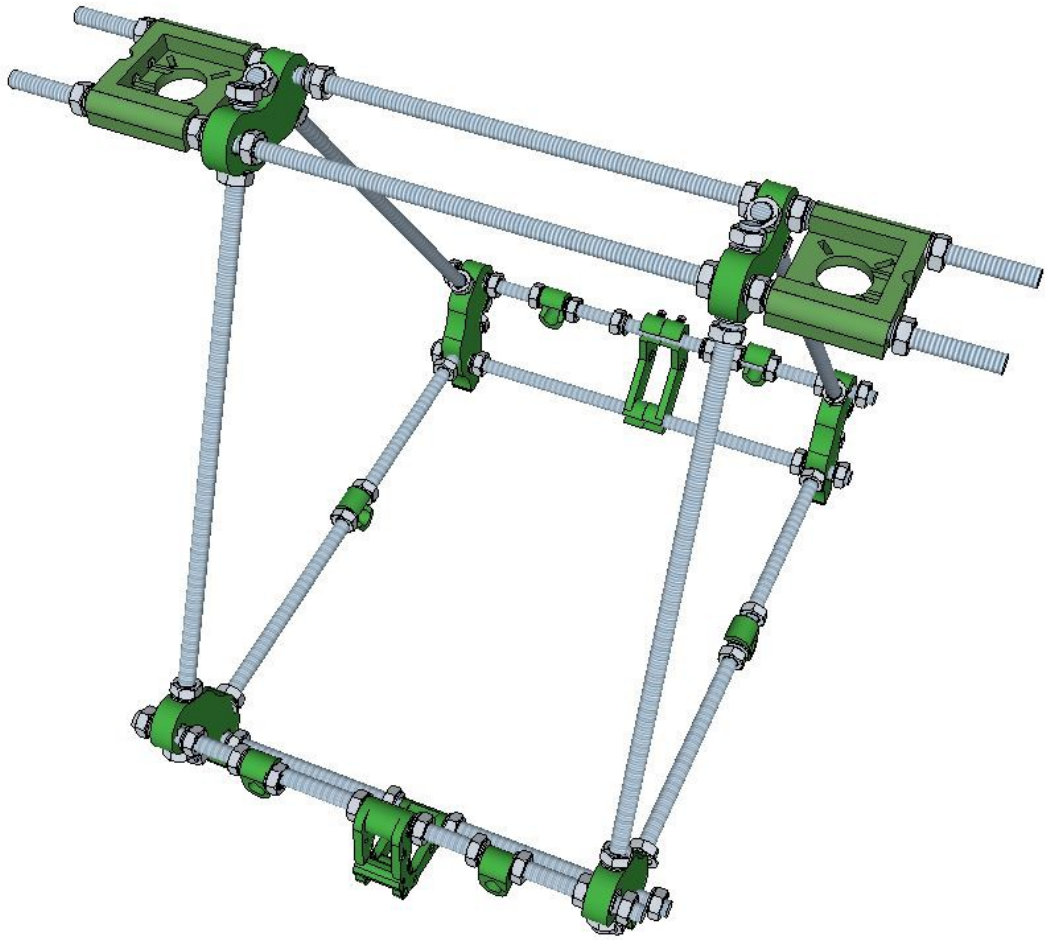


Part 4

Assembling the Top threaded rods

In this section you will assemble the top threaded rods that complete the interconnect of the pair of apex triangle sections and carry the Z motor brackets.



Parts

You will need the following parts;

- 2 x printed Z motor bracket pieces
- 2 x 440mm threaded rod
- 12 x M8 nuts
- 16 x M8 washers

Preparation

Make sure the threaded rods are de-burred by screwing a bolt on to each end. If the fit is a problem work a nut down to and off the troublesome end to ease the burr.

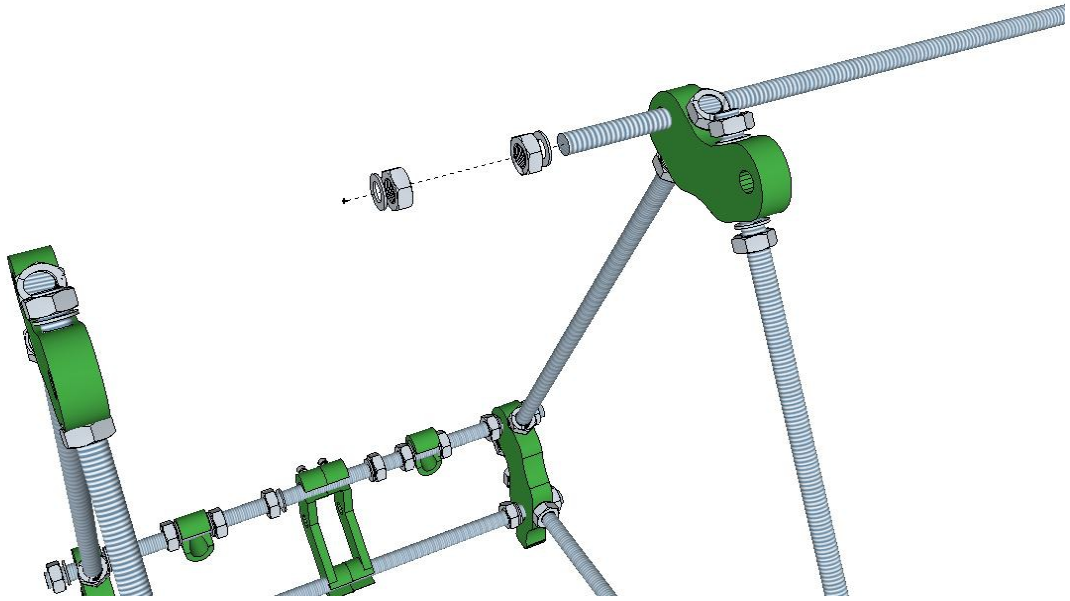
The four holes in each apex piece for M8 threaded rods to pass through should have been eased in the last section.

Ease the channels in the two Z motor mounts to allow M8 threaded rods to slide through snugly. Ease the remaining holes and slots in the Z motor mounts to take M3 cap screws using a file and/or drill bit.

The motor bracket needs to slide on to the M8 threaded rods so ease these slots enough to allow that. The remaining holes in the bracket should be eased to allow M3 cap screws to slide through cleanly, the easiest way to do this is with a small circular file or an M3 drill bit.

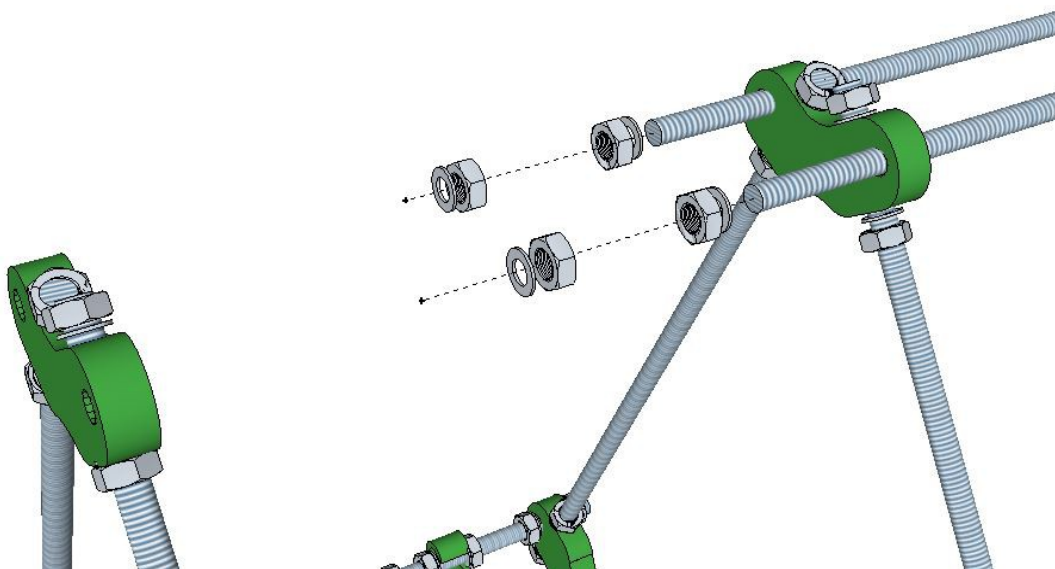
1

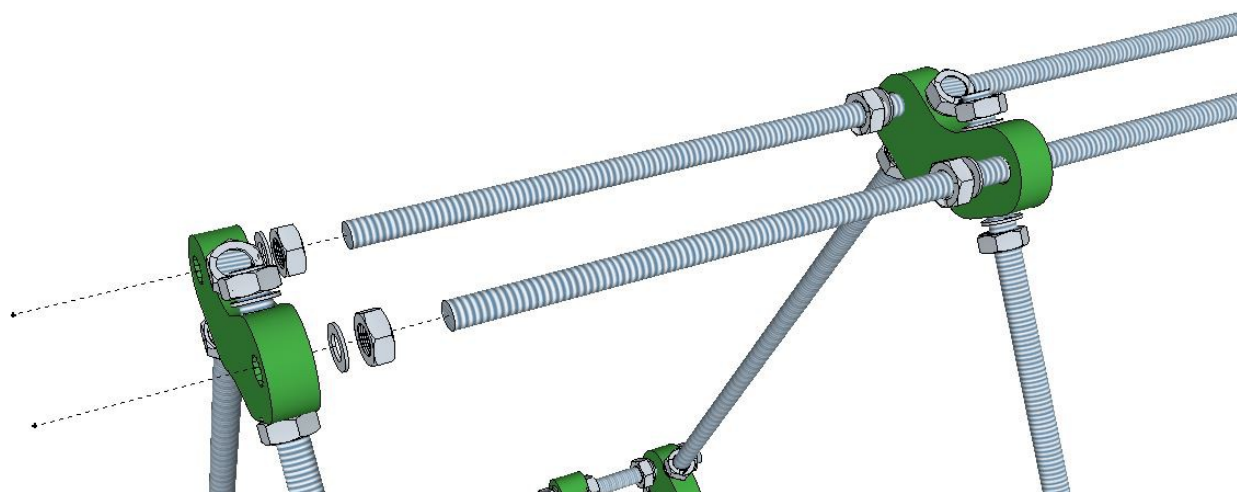
Slide one of the 410mm M8 threaded rods through one side of one of the top vertices. Put a washer, two nuts, and another washer on the part of the rod between the top vertices.



2

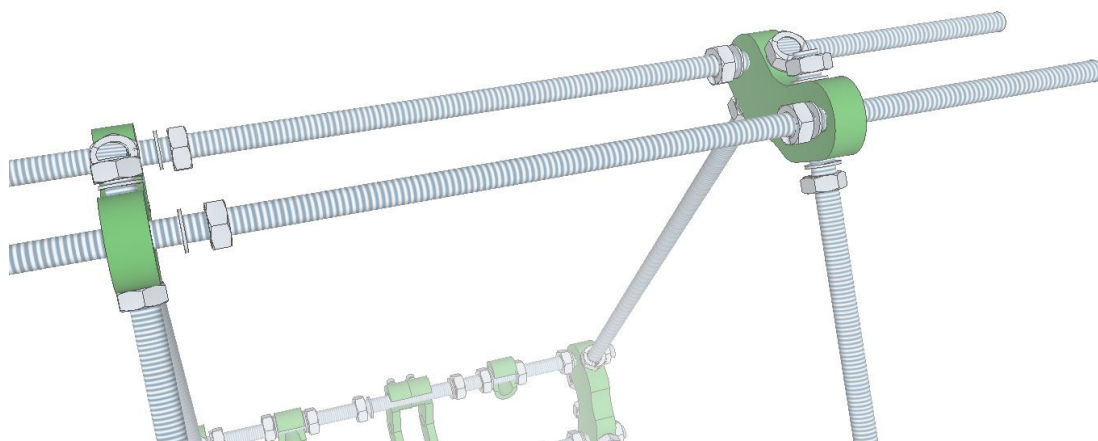
Repeat for the other 410mm M8 threaded rod.





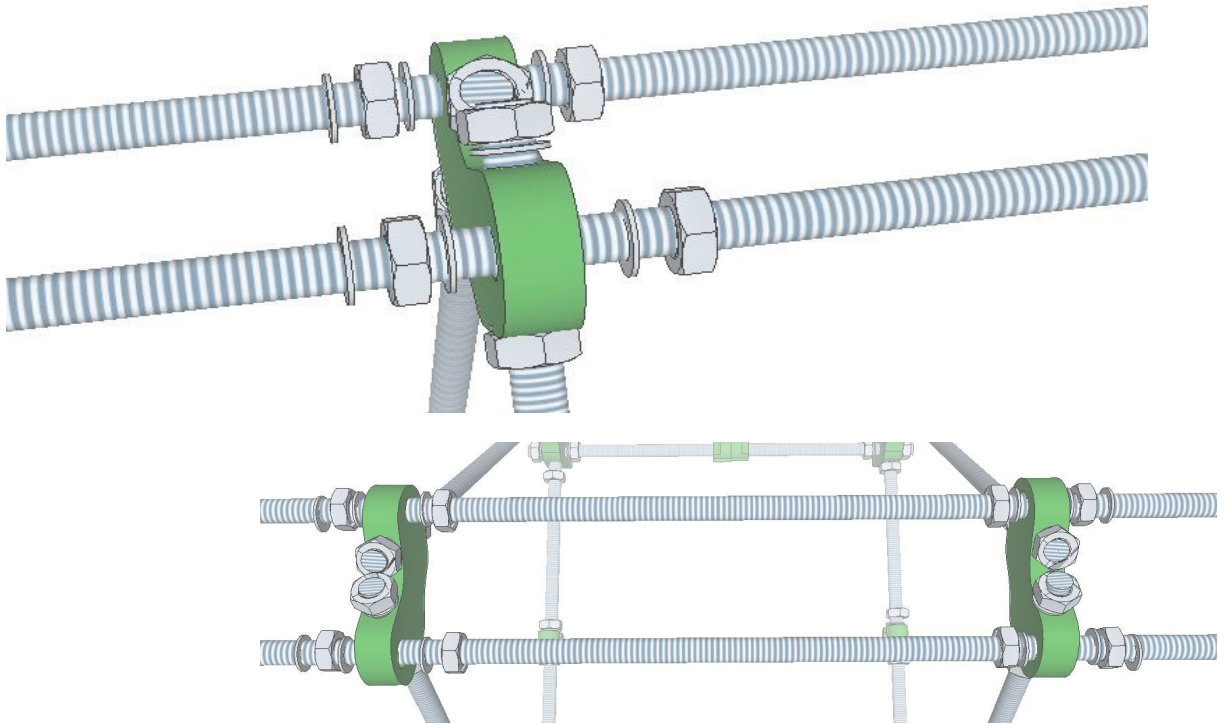
3

Slide the rods through the opposite side vertex. Thread the nuts up to the vertices on each side.



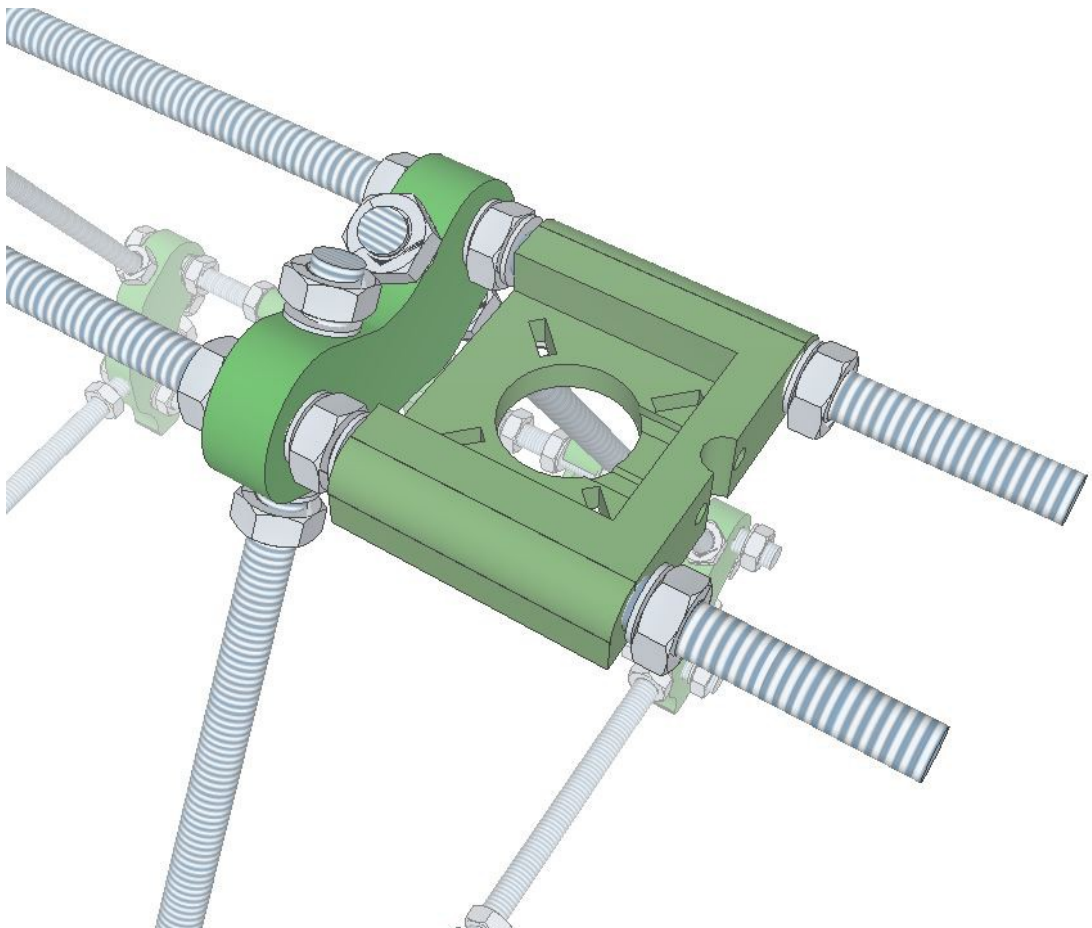
4

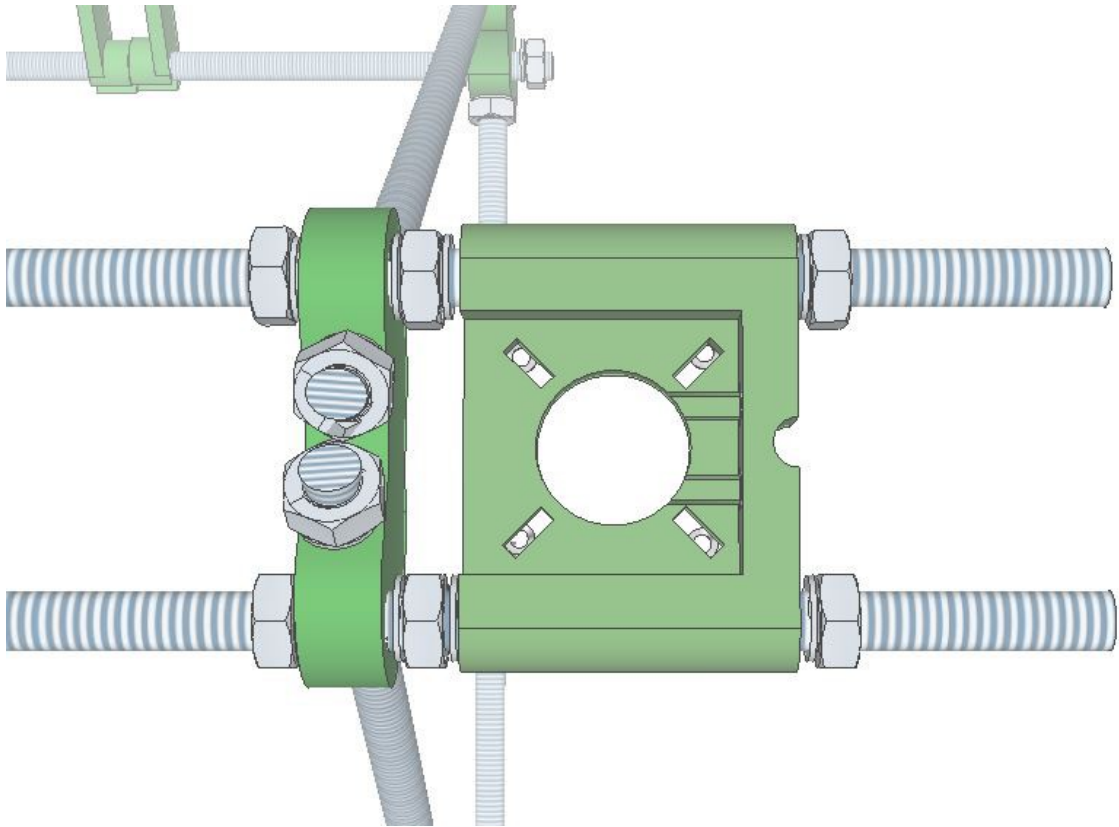
To each of the four ends of the threaded rod, add a washer, a nut and another washer.



5

Take one of the Z motor mounts and slide on to the threaded rod. The side with the two holes and the indentation should point towards the *outside*. Add a washer and nut to the end of each motor mount





6

Repeat this on the other side.

